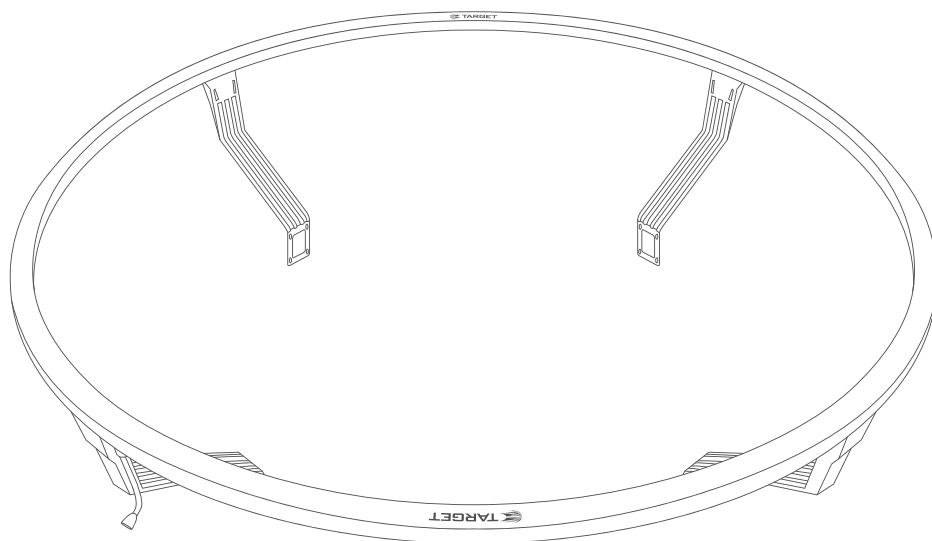


# CORONA

- V I S I O N -



ASSEMBLY INSTRUCTIONS



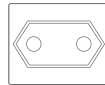
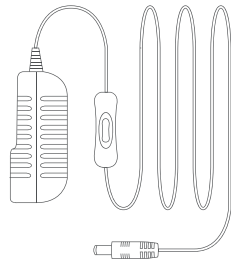
TARGET

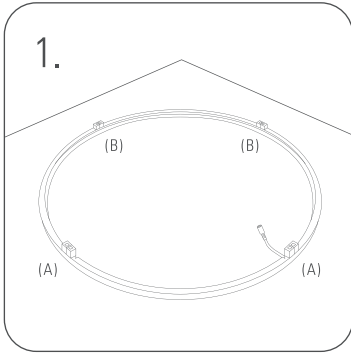
# CONTENTS

- 1X LIGHT RING
- 2X LEGS W/ CABLE CLIP (LEG A)
- 2X LEGS (LEG B)
- 4X PLUG ADAPTERS
- 1X TRANSFORMER

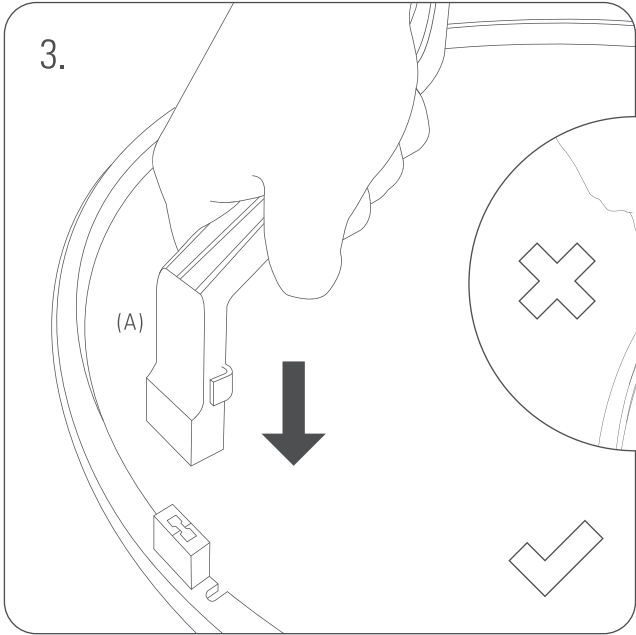
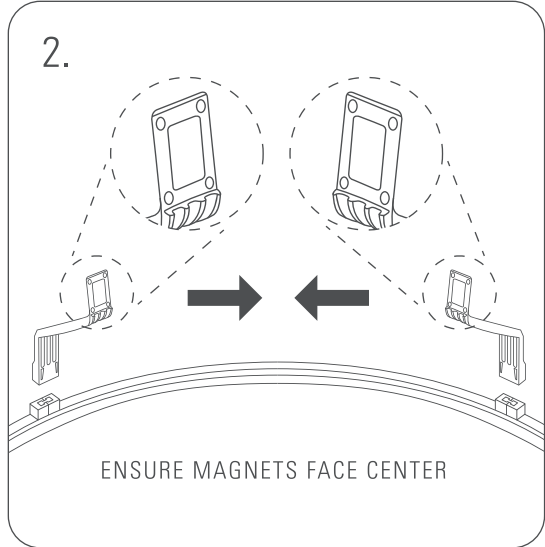


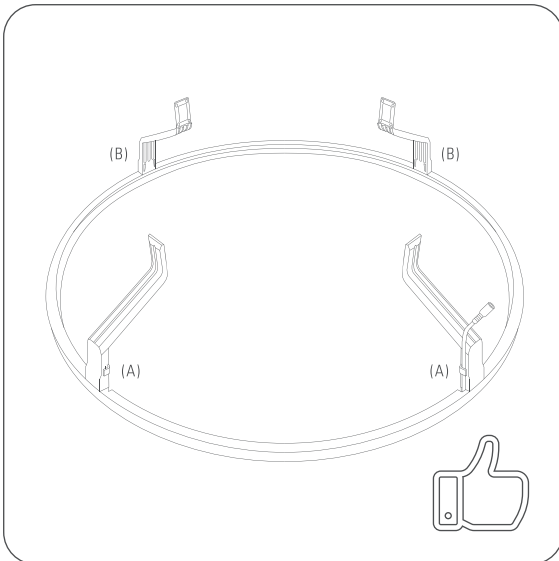
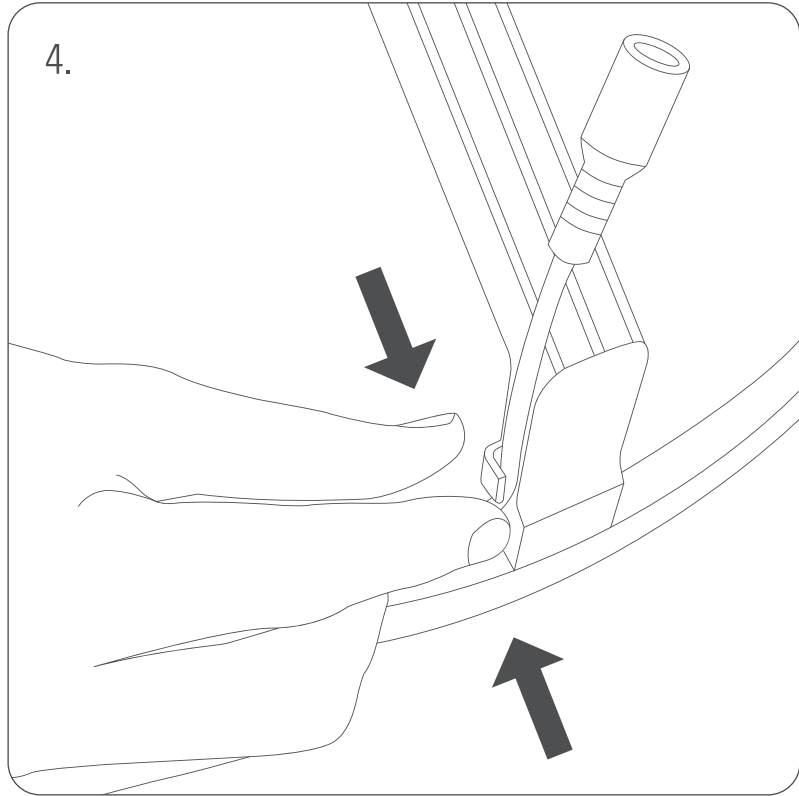
TARGET





PLACE LIGHT RING  
ON A FLAT SURFACE





**WARNING!**

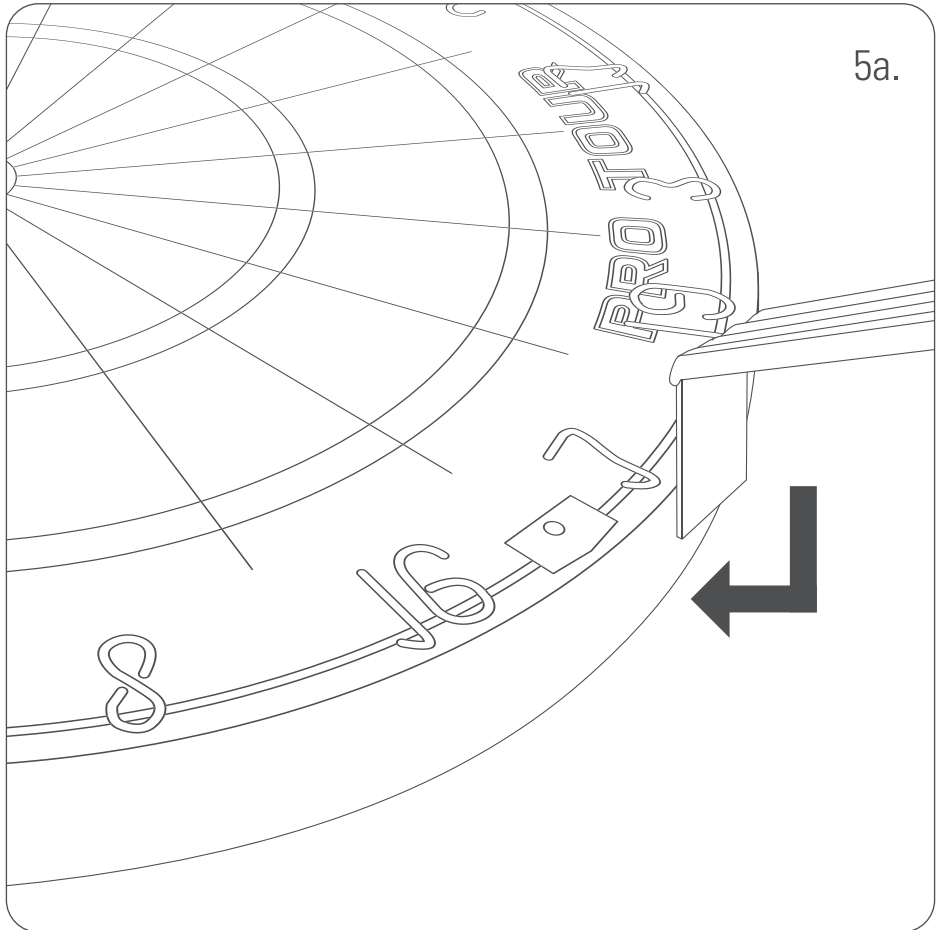
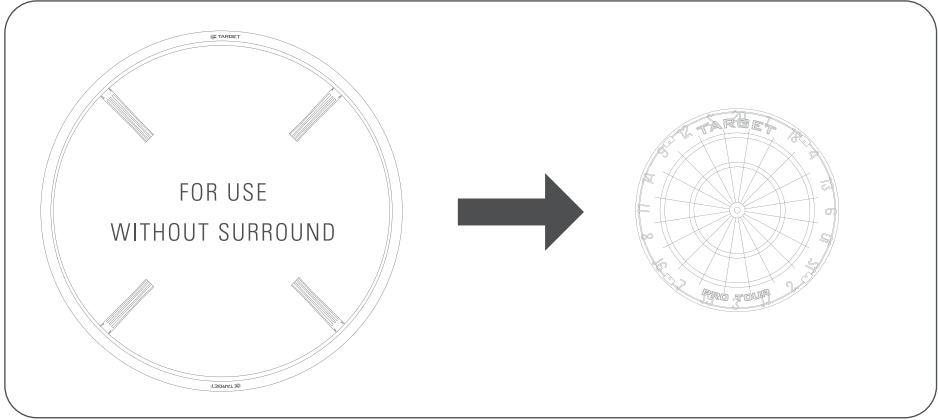
DO NOT ATTEMPT TO  
REMOVE ONCE LOCKED

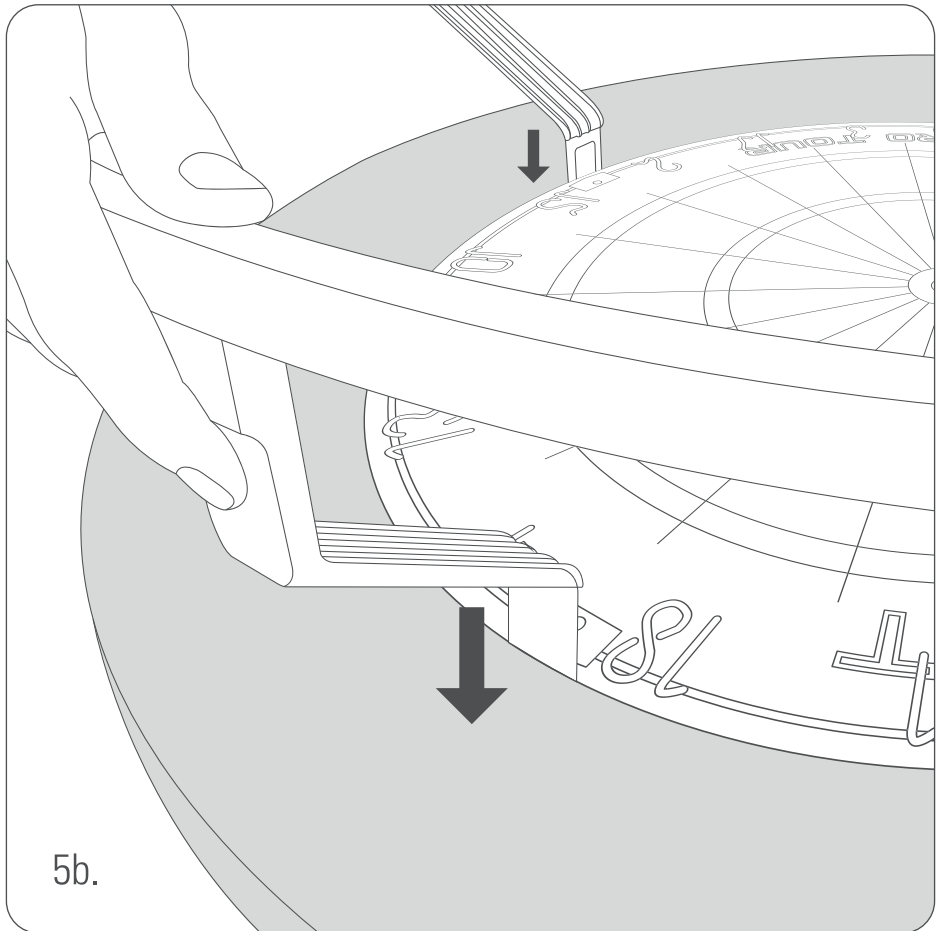
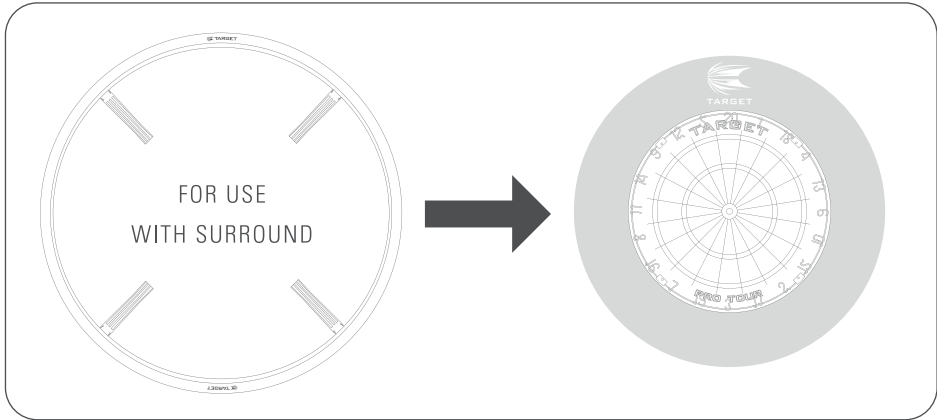
**WAARSCHUWING!**

PROBEER NIET TE  
VERWIJDEREN WANNEER  
EENMAAL GESLOTEN

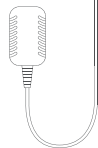
**ACHTUNG!**

BITTE NICHT VERSUCHEN  
ZU BEWEGEN WENN  
GESCHLOSSEN





6.





TARGET SPORTS LTD.  
ELYSIAN HOUSE  
LOVET ROAD  
HARLOW  
CM19 5TB  
+44(0)1279 410155

[INFO@TARGET-DARTS.CO.UK](mailto:INFO@TARGET-DARTS.CO.UK) | [WWW.TARGET-DARTS.CO.UK](http://WWW.TARGET-DARTS.CO.UK)